

ZOOMLION TELESCOPIC BOOM LIFTS

ZT34J

Comply with CE/ANSI/CSA Standard



HIGHLIGHTS

- ▶ Perform dual capacity design, up to 300/454kg (660/1000lb)
- ▶ Rough terrain chassis features swing axle function, easy to achieve 45% gradeability
- ▶ Creative outrigger telescopic method; strong field applicability, low telescopic failure rate, and effective prevention of abnormal tire wear(OPTION)
- ▶ Smooth & stable boom extension, the telescopic efficiency of the boom is increased by 30% compared with that of the double-cylinder telescopic boom
- ▶ Better work envelop performance, 10% larger than competitor

FEATURES

Standard Features

Horn
All motion alarm
Proportional control
Self-closing entry gate
Flashing amber beacon
Auto-leveling system
Emergency stop button
Over tilt protection system
Emergency descent system
On-board diagnostic system
Oscillating axle
4.3' LED display
Load sensing system
Swing-out engine tray

Accessories & Options

- ▶ Platform work light
- ▶ Secondary guarding system
- ▶ AC power to platform
- ▶ Outrigger in-situ telescopic function



ACCESS WITH ZOOMLION GREEN

Phone: 0086(731)-88353680 0086(731)-88250971
E-mail: awm@zoomlion.com

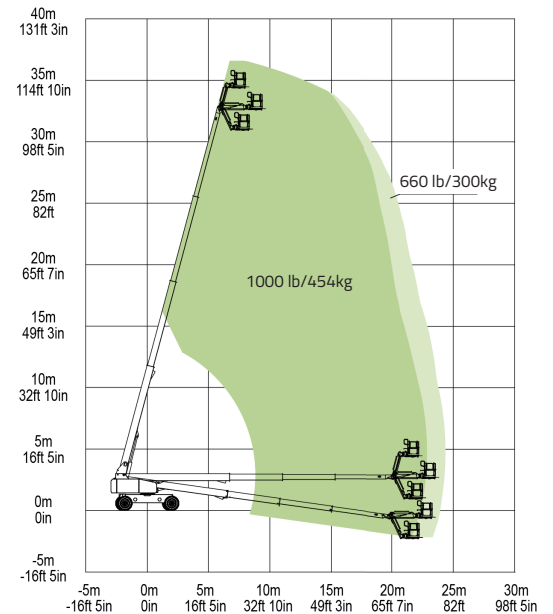
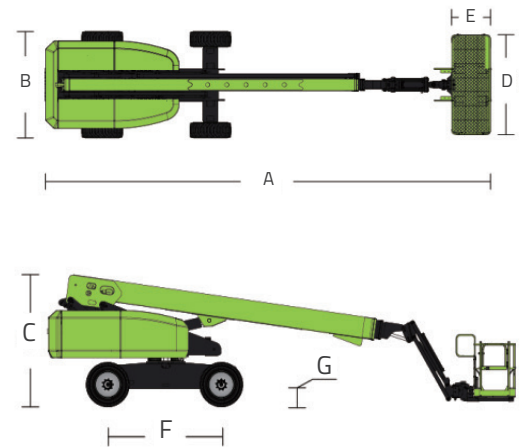
Add: ZOOMLION Wangcheng Industrial Park, Tengfei Road 997, Changsha, Hunan, China
Web: www.en.zoomlion.com

MAIN SPECS OF TELESCOPIC BOOM LIFTS

ZT34J

Comply with CE/ANSI/CSA Standard

Model	ZT34J	
	Imperial	Metric
Size		
Work Height	118ft 1in	36m
Platform Height	111ft 7in	34m
Horizontal Outreach	79ft 5in	24.2m
A - Stowed Length	44ft 3in	13.50m
B - Stowed Width	8ft 2in	2.49m
C - Stowed Height	9ft 10in	3m
D - Platform Length	8ft	2.44m
E - Platform Width	3ft	0.91m
Jib Length	6ft	1.83m
F - Wheelbase	12ft 6in	3.81m
Tread	6ft 8in/11ft 2in	2.05/3.41m
G - Ground Clearance	1ft 4in	0.41m
Performance		
Platform Capacity (Unrestricted/Restricted)	660/1000lb	300/454kg
Drive Speed (Stowed)	3.1mph	5km/h
Gradeability	45% (24°)	
Turning Radius (Inside)	10ft 10in/25ft 3in	3.3/7.7m
Turning Radius (Outside)	26ft 11in/35ft 5in	8.2/10.8m
Turntable Swing	360° continuous	
Platform Rotation	±90°	
Tail Swing	3ft 11in	1.2m
Jib (Range of Articulation)	130° (-55°~75°)	
Max. Wind Speed	28mph	12.5m/s
Power		
Engine	Cummins QSF2.8	
Engine Power	73hp/2400rpm	54kw/2400rpm
Fuel Tank Capacity	52.8 (us gal)	200L
Control Voltage	12V DC	
Hydraulic Tank Capacity	66 (us gal)	250L
Drive Mode	4WD	
Steering Mode	Four wheels/Front wheel/Crab	
Tire		
Type	IN445/50D710 Foam-filled Tires	
Weight		
Gross	41888lb	19000kg



Range of Motion ZT34J