

# ZOOMLION TELESCOPIC BOOM LIFTS

## ZT26J

Comply with CE/ANSI/CSA Standard

### HIGHLIGHTS



▶ Better work envelop performance, 10% larger than competitor

▶ Industry leading telematic control interface with self-diagnostic monitoring capability

▶ Smooth & stable boom extension control as low as 15mm/s (0.034mph)

▶ Dual lift capacity of 300kg (660-lb) unrestricted and 454kg (1,000-lb) restricted.

### FEATURES

#### Standard Features

Horn
All motion alarm
Proportional control
Self-closing entry gate
Flashing amber beacon
Auto-leveling system
Emergency stop button
Over tilt protection system
Emergency descent system
On-board diagnostic system
Oscillating axle
4.3' LED display
Load sensing system
Swing-out engine tray

#### Accessories & Options

- ▶ Platform work light
- ▶ Secondary guarding system
- ▶ AC power to platform
- ▶ Deutz TD2.9 L4 diesel engine 50kW(67hp)/2600rpm T4f

## ACCESS WITH ZOOMLION GREEN

Phone: 0086(731)-88353680 0086(731)-88250971  
E-mail: awm@zoomlion.com

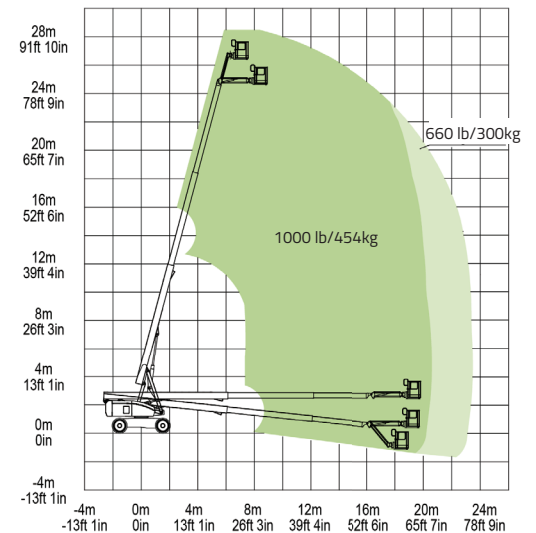
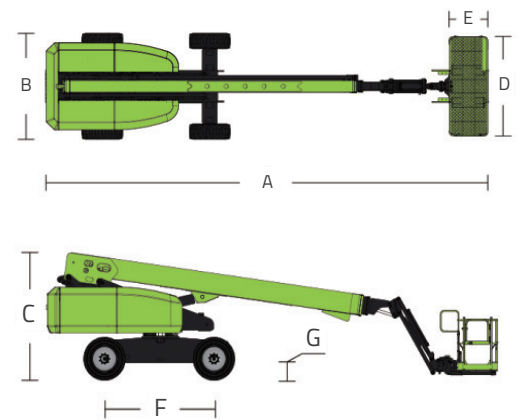
Add: ZOOMLION Wangcheng Industrial Park, Tengfei Road 997, Changsha, Hunan, China  
Web: www.en.zoomlion.com

# MAIN SPECS OF TELESCOPIC BOOM LIFTS

## ZT26J

Comply with CE/ANSI/CSA Standard

Model	ZT26J	
	Imperial	Metric
<b>Size</b>		
Work Height	92ft 6in	28.20m
Platform Height	85ft 11in	26.20m
Horizontal Outreach	76ft 6in	23.31m
A - Stowed Length	41ft	12.50m
B - Stowed Width	8ft 2in	2.49m
C - Stowed Height	9ft 2in	2.80m
D - Platform Length	8ft	2.44m
E - Platform Width	3ft	0.91m
Jib Length	6ft	1.83m
F - Wheelbase	10ft	3.05m
Tread	6ft 11in	2.11m
G - Ground Clearance	1ft 4in	0.40m
<b>Performance</b>		
Platform Capacity (Unrestricted/Restricted)	660/1000lb	300/454kg
Drive Speed (Stowed)	3.42mph	5.5km/h
Gradeability	45% (24°)	45% (24°)
Turning Radius (Inside)	12ft	3.66m
Turning Radius (Outside)	22ft 6in	6.86m
Turntable Swing	360° continuous	
Platform Rotation	±90°	
Tail Swing	5ft 3in	1.60m
Jib (Range of Articulation)	130° (-55° ~ 75°)	
Max. Wind Speed	28mph	12.5m/s
<b>Power</b>		
Engine	Cummins QSF2.8	
Engine Power	72.4hp/2400rpm	54kw/2400rpm
Fuel Tank Capacity	39.6 (us gal)	150L
Control Voltage	12V DC	
Hydraulic Tank Capacity	39.6 (us gal)	150L
Drive Mode	4WD	
Steering Mode	Front-wheel	
<b>Tire</b>		
Type	15-625 Foam-filled Tires	
<b>Weight</b>		
Gross	41667lb	18900kg



Range of Motion ZT26J