

# ZOOMLION TELESCOPIC BOOM LIFTS

## ZT20J

Comply with CE/ANSI/CSA Standard



### FEATURES

#### Standard Features

Horn
All motion alarm
Proportional control
Self-closing entry gate
Flashing amber beacon
Auto-leveling system
Emergency stop button
Over tilt protection system
Emergency descent system
On-board diagnostic system
Oscillating axle
4.3' LED display
Load sensing system
Swing-out engine tray

#### Accessories & Options

- ▶ Platform work light
- ▶ Secondary guarding system
- ▶ AC power to platform
- ▶ Deutz D2.9 L4 diesel engine  
36.4kW(49hp)/2600rpm T4f



### HIGHLIGHTS

- ▶ Better work envelop performance, 10% larger than competitor
- ▶ Industry leading telematic control interface with self-diagnostic monitoring capability
- ▶ Smooth & stable boom extension control as low as 15mm/s(0.034mph)
- ▶ Dual lift capacity of 300kg(660-lb) unrestricted and 454kg (1,000-lb) restricted.



## ACCESS WITH ZOOMLION GREEN

Phone: 0086(731)-88353680 0086(731)-88250971  
E-mail: awm@zoomlion.com

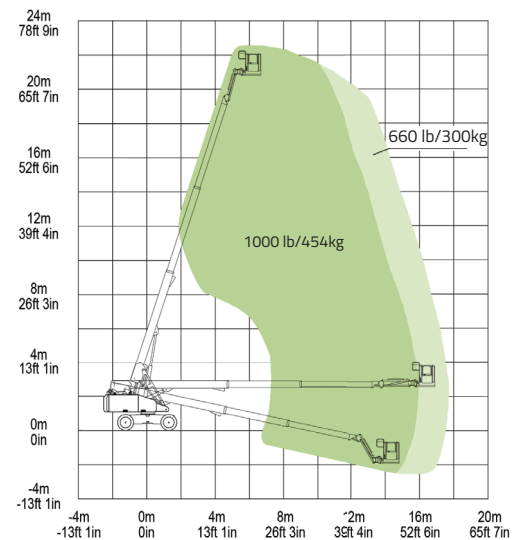
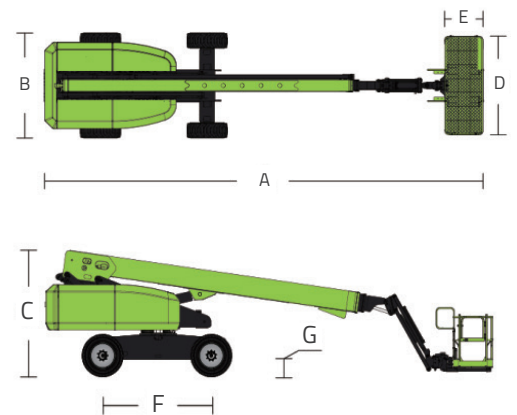
Add: ZOOMLION Wangcheng Industrial Park, Tengfei Road 997, Changsha, Hunan, China  
Web: www.en.zoomlion.com

# MAIN SPECS OF TELESCOPIC BOOM LIFTS

## ZT20J

Comply with CE/ANSI/CSA Standard

Model	ZT20J	
	Imperial	Metric
<b>Size</b>		
Work Height	74ft 7in	22.75m
Platform Height	68ft 1in	20.75m
Horizontal Outreach	57ft 1in	17.4m
A - Stowed Length	34ft	10.36m
B - Stowed Width	8ft 2in	2.49m
C - Stowed Height	9ft 1in	2.78m
D - Platform Length	8ft	2.44m
E - Platform Width	3ft	0.91m
Jib Length	5ft	1.53m
F - Wheelbase	8ft 3in	2.52m
Tread	7ft	2.13m
G - Ground Clearance	1ft 5in	0.42m
<b>Performance</b>		
Platform Capacity (Unrestricted/Restricted)	660/1000lb	300/454kg
Drive Speed (Stowed)	3.73mph	6.0km/h
Gradeability	45% (24°)	45% (24°)
Turning Radius (Inside)	7ft 10in	2.4m
Turning Radius (Outside)	17ft 9in	5.4m
Turntable Swing	360° continuous	
Platform Rotation	±90°	
Tail Swing	4ft 9in	1.45m
Jib (Range of Articulation)	135° (-60° ~ 75°)	
Max. Wind Speed	28mph	12.5m/s
<b>Power</b>		
Engine	Kubota V2403	
Engine Power	48.3hp/2600rpm	36kw/2600rpm
Fuel Tank Capacity	39.6 (us gal)	150L
Control Voltage	12V DC	
Hydraulic Tank Capacity	39.6 (us gal)	150L
Drive Mode	4WD	
Steering Mode	Front-wheel	
<b>Tire</b>		
Type	355/55D-625 Foam-filled Tires	
<b>Weight</b>		
Gross	26896lb	12200kg



Range of Motion ZT20J